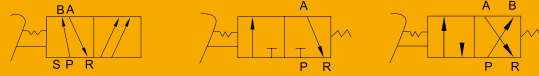


F Series Foot Valve (3/2, 4/2, 5/2 Way)



F

Foot Valve (3/2, 4/2, 5/2)



1
F
Foot Valve



T

Product Features

- * Strong design and work in harsh environment
- * Various types are available

How to Order?

Series No.	Ways	Positions	Valve Body Size	Type	Port Size	Valve Type	Thread Type
F: F series foot valve	3: 3 ways 4: 4 ways 5: 5 ways	2: 2 position	2: 2 series	Blank: No cover C: With cover	06: 1/8 " 08: 1/4 "	Blank: Basic type L: With lock LB: With lock, big valve body	Blank: G P: PT T: NPT

Order Example:

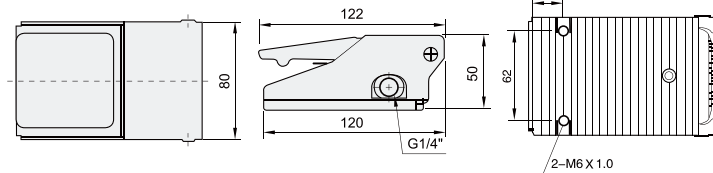
F series foot valve, 5/2 way, 2 series valve body, without cover, 1/4" port size, with lock, G thread, ERP code is: F522-08L

Specifications

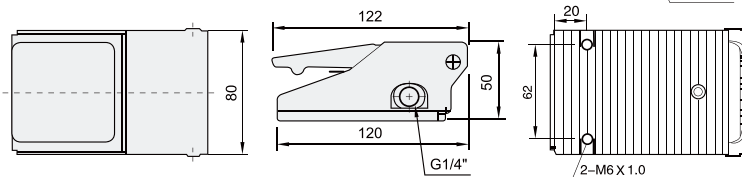
Model	F322	F422	F522
Working medium	Clean air(After 40 μm filtration)		
Acting type	External control		
Lubrication	Not required		
Working pressure (MPa)	0-0.8		
Max pressure (MPa)	1.2		
Working temperature (°C)	-5-60		
Port size	1/8 " , 1/4 "		

Main Dimension

F322-08



F422-08

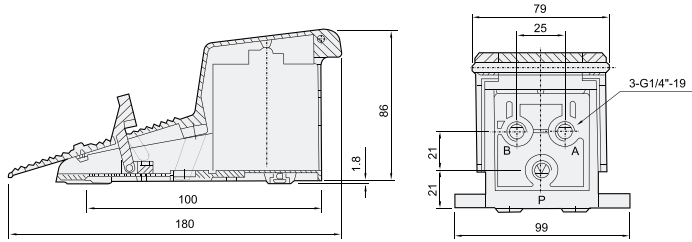


F Series Foot Valve (3/2, 4/2, 5/2 Way)

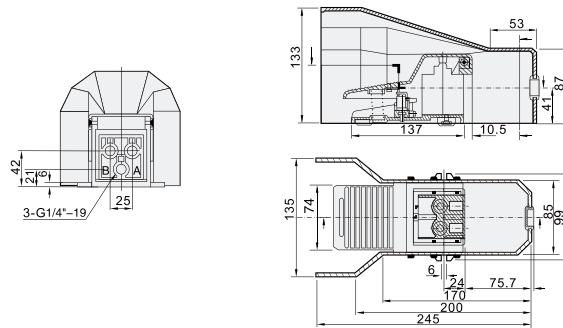


○ Main Dimension

F522-08L



F522C-08L



F522C-08

