

How to Order?

Series No.	Port size	Original status	Orifice	ID Code	Voltage	Valve body material	Seal material	Thread type
SLP: Thread connection SLPF: Flange connection	Blank: NC H: NO	Blank: Standard type N: Low power type				Blank: Brass S1: SS316	Blank: NBR E: EPDM V: VITON	Blank: G P: PT T: NPT
06: 1/8" 25: 1"	010: 1mm	250: 25mm	E1: AC110V	E6: AC36V				
08: 1/4" 32: 1-1/4"	015: 1.5mm	320: 32mm	E2: AC220V	E7: AC24V				
10: 3/8" 40: 1-1/2"	025: 2.5mm	400: 40mm	E3: AC380V	E8: DC110V				
15: 1/2" 50: 2"	030: 3mm	500: 50mm	E4: DC24V	E9: DC48V				
20: 3/4"	040: 4mm	650: 65mm	E5: DC12V	E10: DC36V				
	105: 10.5mm	800: 80mm						
	130: 13mm	1000: 100mm						
	200: 20mm							

(Note: cancel if same with port size)

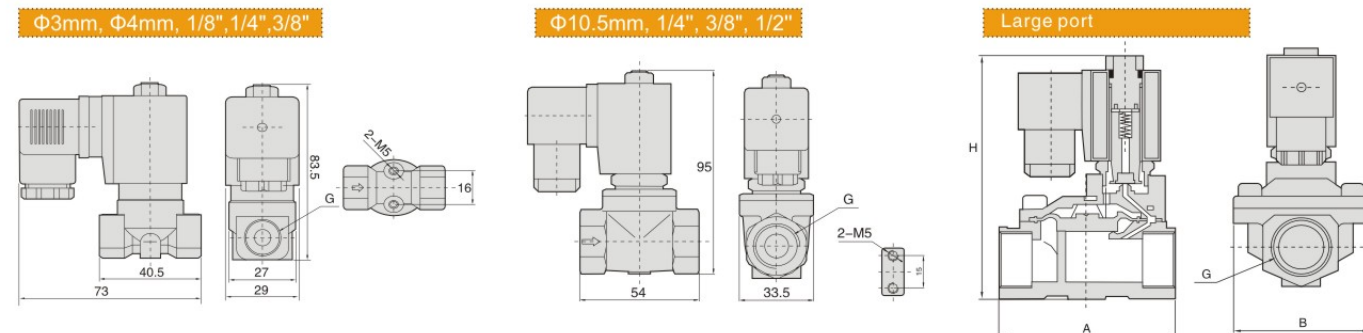
Order Example:

SLP series solenoid valve, 1/2 port size, NC, 13mm orifice, standard type, AC110V, Brass valve body, NBR seal, G thread, ERP code is: SLP15-130E1

Product Features

- * Normal close, available body: brass, SS316
- * Multiple seals are available for different medium
- * Wide size range from 1/8" to 2" , with both thread and flange connection
- * Diaphragm pilot solenoid valve, with lower working pressure
- * To reduce the power consumption of 80% energy-saving

Main Dimensions



Specifications

Port size (G)	Orifice (mm)	CV value	Pressure difference (Bar)				Max. temperature (°C)	Power		Model		Main dimension Length x Width x Height AxBxH(mm)
			Min. pressure	Max. working pressure				AC 220	DC 24V	220VAC	50/60Hz	
				Air, Gas	Water, Liquid	Hot water, Liquid						
1/8"	3	0.23	0	13	13	10	80	22	13	SLP06-030E2	SLP06-030E2S1	
	3	0.23	0	13	13	-	130	22	13	SLP06-030E2E	SLP06-030E2S1E	
	3	0.23	0	13	13	10	120	22	13	SLP06-030E2V	SLP06-030E2S1V	
1/4"	3	0.23	0	13	13	10	80	22	13	SLP08-030E2	SLP08-030E2S1	
	3	0.23	0	13	13	-	130	22	13	SLP08-030E2E	SLP08-030E2S1E	
	3	0.23	0	13	13	10	120	22	13	SLP08-030E2V	SLP08-030E2S1V	
	10.5	1.47	0	10	10	10	80	22	13	SLP08-105E2	--	
	10.5	1.47	0	10	10	-	130	22	13	SLP08-105E2E	--	
	10.5	1.47	0	10	10	10	120	22	13	SLP08-105E2V	--	
3/8"	3	0.3	0	13	13	10	80	22	13	SLP10-030E2	SLP10-030E2S1	
	3	0.3	0	13	13	10	130	22	13	SLP10-030E2E	SLP10-030E2S1E	
	3	0.3	0	13	13	10	120	22	13	SLP10-030E2V	SLP10-030E2S1V	
	4	0.6	0	8	8	6	80	22	13	SLP10-040E2	SLP10-040E2S1	
	4	0.6	0	8	8	6	130	22	13	SLP10-040E2E	SLP10-040E2S1E	
	4	0.6	0	8	8	6	120	22	13	SLP10-040E2V	SLP10-040E2S1V	
	10.5	1.68	0	10	10	10	80	22	13	SLP10-105E2	--	
	10.5	1.68	0	10	10	-	130	22	13	SLP10-105E2E	--	
	10.5	1.68	0	10	10	10	120	22	13	SLP10-105E2V	--	
	13	4.5	0.5	16	16	13	80	22	13	SLP10-130E2	SLP10-130E2S1	66 x 48 x 112
	13	4.5	0.5	16	16	13	130	22	13	SLP10-130E2E	SLP10-130E2S1E	66 x 48 x 112
	13	4.5	0.5	16	16	13	120	22	13	SLP10-130E2V	SLP10-130E2S1V	66 x 48 x 112
1/2"	10.5	1.75	0	10	10	10	80	22	13	SLP15-105E2	--	
	10.5	1.75	0	10	10	-	130	22	13	SLP15-105E2E	--	
	10.5	1.75	0	10	10	10	120	22	13	SLP15-105E2V	--	
	13	4.5	0.5	16	16	13	80	22	13	SLP15-130E2	SLP15-130E2S1	66 x 48 x 112
3/4"	13	4.5	0.5	16	16	13	130	22	13	SLP15-130E2E	SLP15-130E2S1E	66 x 48 x 112
	13	4.5	0.5	16	16	13	120	22	13	SLP15-130E2V	SLP15-130E2S1V	66 x 48 x 112
	20	7.6	0.5	16	16	13	80	22	13	SLP20E2	SLP20E2S1	75 x 58 x 118
	20	7.6	0.5	16	16	13	130	22	13	SLP20E2E	SLP20E2S1E	75 x 58 x 118
1"	20	7.6	0.5	16	16	13	120	22	13	SLP20E2V	SLP20E2S1V	75 x 58 x 118
	25	12	0.5	16	16	13	80	22	13	SLP25E2	SLP25E2S1	96 x 70 x 131
	25	12	0.5	16	16	13	130	22	13	SLP25E2E	SLP25E2S1E	96 x 70 x 131
1-1/4"	25	12	0.5	16	16	13	120	22	13	SLP25E2V	SLP25E2S1V	96 x 70 x 131
	35	22	0.5	16	16	13	80	22	13	SLP32-350E2	--	131 x 96 x 146
	35	22	0.5	16	16	13	130	22	13	SLP32-350E2E	--	131 x 96 x 146
1-1/2"	35	22	0.5	16	16	13	120	22	13	SLP32-350E2V	--	131 x 96 x 146
	40	30	0.5	16	16	13	80	22	13	SLP40E2	SLP40E2S1	131 x 96 x 146
	40	30	0.5	16	16	13	130	22	13	SLP40E2E	SLP40E2S1E	131 x 96 x 146
2"	40	30	0.5	16	16	13	120	22	13	SLP40E2V	SLP40E2S1V	131 x 96 x 146
	50	48	0.5	16	16	13	80	22	13	SLP50E2	SLP50E2S1	165 x 120 x 167
	50	48	0.5	16	16	13	130	22	13	SLP50E2E	SLP50E2S1E	165 x 120 x 167
Flange connection	50	48	0.5	16	16	13	120	22	13	SLP50E2V	SLP50E2S1V	165 x 120 x 167
	25	12	0.5	16	16	13	80	22	13	--	SLPF25E2S1	134 x 110 x 160
	25	12	0.5	16	16	13	130	22	13	--	SLPF25E2S1E	134 x 110 x 160
Flange connection	25	12	0.5	16	16	13	120	22	13	--	SLPF25E2S1V	134 x 110 x 160
	35	22	0.5	16	16	13	80	22	13	--	SLPF32-350E2S1	160 x 135 x 175
	35	22	0.5	16	16	13	130	22	13	--	SLPF32-350E2S1E	160 x 135 x 175
Flange connection	35	22	0.5	16	16	13	120	22	13	--	SLPF32-350E2S1V	160 x 135 x 175
	40	30	0.5	16	16	13	80	22	13	--	SLPF40E2S1	160 x 145 x 180
	40	30	0.5	16	16	13	130	22	13	--	SLPF40E2S1E	160 x 145 x 180
Flange connection	40	30	0.5	16	16	13	120	22	13	--	SLPF40E2S1V	160 x 145 x 180
	50	48	0.5	16	16	13	80	22	13	--	SLPF50E2S1	200 x 160 x 207
	50	48	0.5	16	16	13	130	22	13	--	SLPF50E2S1E	200 x 160 x 207
Flange connection	50	48	0.5	16	16	13	120	22	13	--	SLPF50E2S1V	200 x 160 x 207
	65	52	0.5	12	12	8	80	33	20	--	SLPF65E2S1	250 x 185 x 250
	65	52	0.5	12	12	8	120	33	20	--	SLPF65E2S1E	250 x 185 x 250
Flange connection	65	52	0.5	12	12	8	120	33	20	--	SLPF65E2S1V	250 x 185 x 250
	80	80	0.5	12	12	8	80	33	20	--	SLPF80E2S1	270 x 185 x 262
	80	80	0.5	12	12	8	120	33	20	--	SLPF80E2S1E	270 x 185 x 262
Flange connection	80	80	0.5	12	12	8	120	33	20	--	SLPF80E2S1V	270 x 185 x 262
	100	128	0.5	12	12	8	80	33	20	--	SLPF100E2S1	342 x 222 x 287
	100	128	0.5	12	12	8	120	33	20	--	SLPF100E2S1E	342 x 222 x 287
Flange connection	100	128	0.5	12	12	8	120	33	20	--	SLPF100E2S1V	342 x 222 x 287